

Abbattitori/congelatori
Blast chillers and freezers

BLAST CHILLERS/FREEZERS 15kg GN 1/1 CROSSWISE

PNC	Avv.	Model	Brand	Ref.	Page
110201	03/03	Crosswise 15/19 kg GN 1/1 Freezer 60HZ	Zanussi	u	2 3
110241	01/01	Crosswise 15/19 kg GN 1/1 Chiller/Freezer	Zanussi	b	2 3
110717	39/39	Crosswise 15 kg GN 1/1 Chiller	Zanussi	e	2 3
110721	40/40	Crosswise 15/19 kg GN 1/1 Freezer	Zanussi	b	2 3
110832	00/00	Crosswise 15/19 kg GN 1/1 Freezer R452A	Zanussi	b	2 3
190CKY	00/00	Crossw 15/19 kg GN 1/1 Freez 60HZ Marine feet R452A	Elux Prof	h	2 3
190CT3	00/00	Crosswise 15/19 kg GN 1/1 Chiller/remoto	Elux Prof	m	2 3
190CX3	00/00	Crosswise 15/19 kg GN 1/1 Chiller/remoto	Elux Prof	j	2 3
190EIS	00/00	Crosswise 15/19 kg GN 1/1 Freezer R404A	Elux Prof	a	2 3
190EUP	00/00	Crosswise 15/19 kg GN 1/1 Freezer/remoto	Elux Prof	k	2 3
726620	40/40	Crosswise 15 kg GN 1/1 Chiller	Elux Prof	d	2 3
726621	37/37	Crosswise 15/19 kg GN 1/1 Chiller/remoto	Elux Prof	i	2 3
726627	41/41	Crosswise 15/19 kg GN 1/1 Freezer	Elux Prof	a	2 3
726628	31/31	Crosswise 15/19 kg GN 1/1 Freezer/remoto	Elux Prof	g	2 3
727131	28/28	Crosswise 15/19 kg GN 1/1 Freezer 60HZ	Elux Prof	q	2 3
727497	06/06	Crosswise 15/19 kg GN 1/1 Freezer TK	Elux Prof	t	2 3
727623	07/07	Crossw 15/19 kg GN 1/1 Freez 60HZ Marine feet	Elux Prof	h	2 3
727829	00/00	Crosswise 15/19 kg GN 1/1 Freezer R452A	Elux Prof	a	2 3
727893	01/01	Crosswise 15/19 kg GN 1/1 Freezer R452A	Elux Prof	a	2 3
727894	00/00	Crosswise 15/19 kg GN 1/1 Freezer TK R452A	Elux Prof	t	2 3
728210	39/39	Crosswise 15 kg GN 1/1 Chiller	Alpeninox	f	2 3
728214	40/40	Crosswise 15/19 kg GN 1/1 Freezer	Alpeninox	c	2 3
728637	17/17	Crosswise 15/19 kg GN 1/1 Freezer	Digrim	c	2 3
728823	07/07	Crosswise 15/19 kg GN 1/1 Chiller/remoto	Alpeninox	s	2 3
728824	07/07	Crosswise 15/19 kg GN 1/1 Freezer/remoto	Alpeninox	r	2 3
728959	00/00	Crosswise 15/19 kg GN 1/1 Freezer R452A	Alpeninox	c	2 3

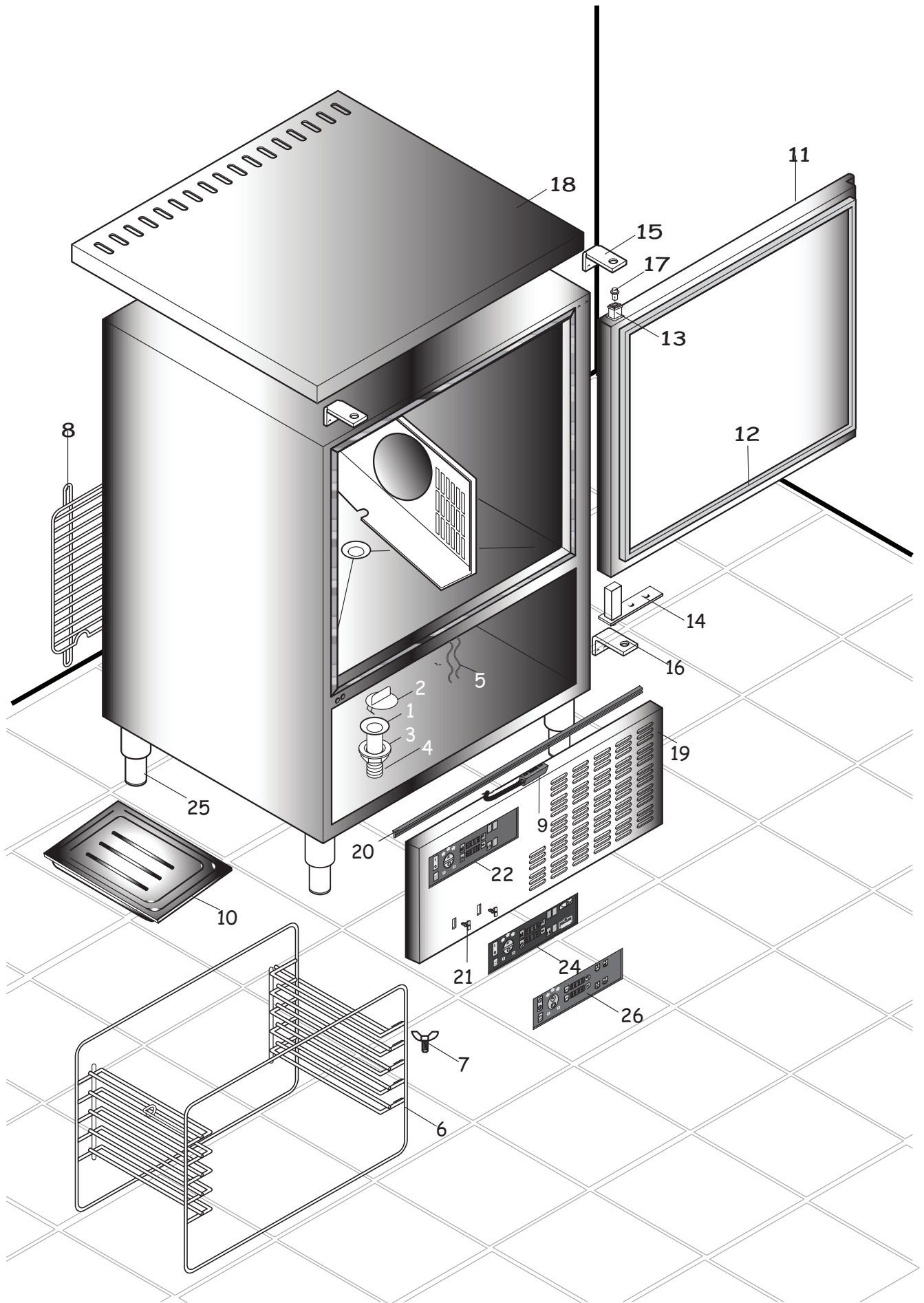
Note: per la corretta identificazione dei componenti, attenersi esclusivamente alle pagine indicate e alla lettera di riferimento.

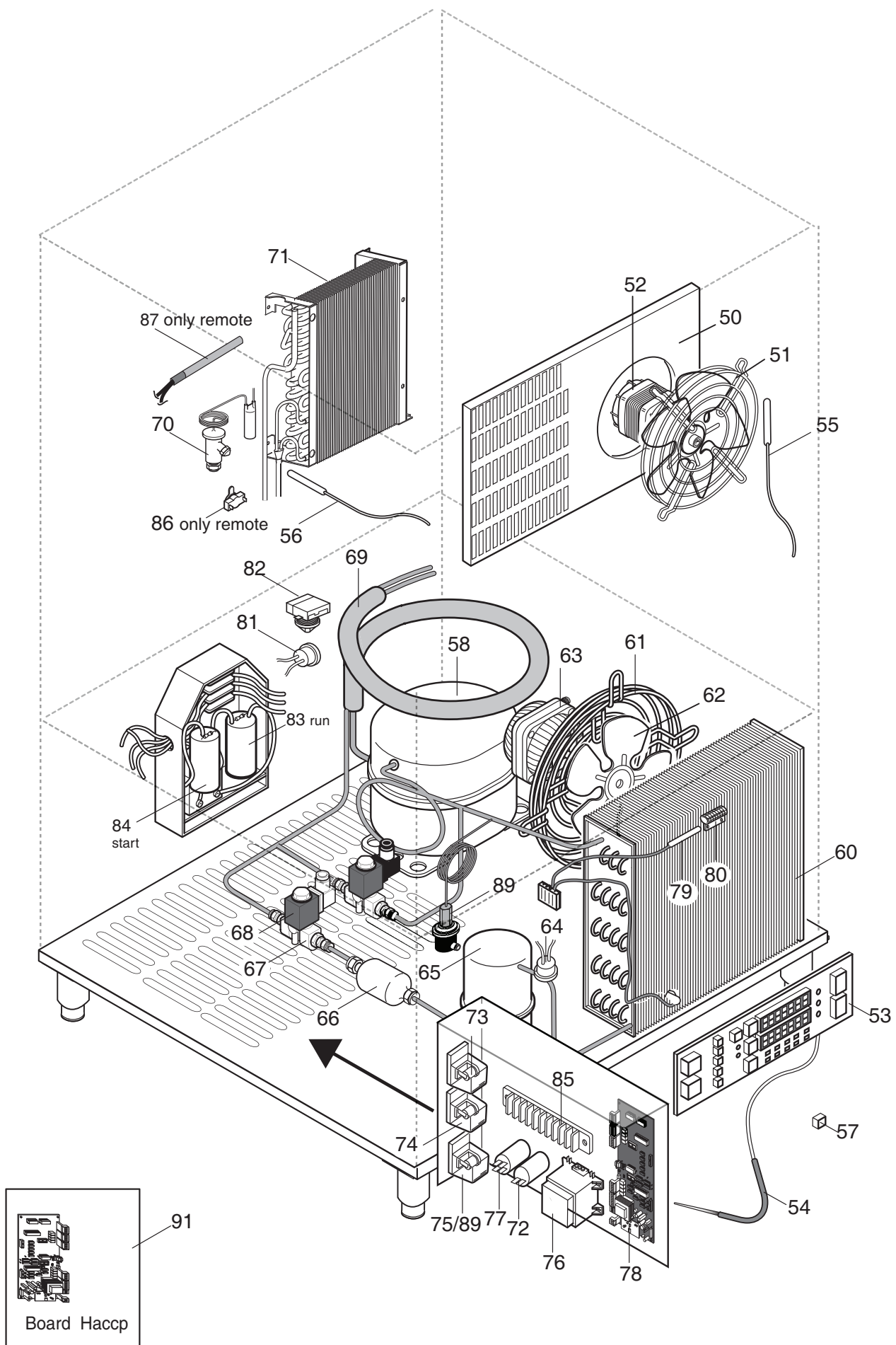
Note: for the correct identification of the components, follow the indicated pages and the reference letter.

NOTE:

This spare parts catalogue is available from serial n°~03607000.. (08~09/2010)
Update the relay compressor (omrom pnc 088267) with new contactor pnc 088557
from serial n°11507003

	Index	Indice
Pag.	2 Cabinet and door	Armadio e porta
9	2 Control panel	Pannello comandi
Rev.	3 Cooling unit assembly	Gruppo refrigerante
4..7	Spare parts list	Lista ricambi





Pos	Spare parts code	Descrizione	Description	Ref - Note
1	083591	Piletta	Discharge pipe	Up to 4281...
1	094255	Piletta	Discharge pipe	From 4291...
2	088089	Tappo per piletta	Plug for pipe	Up to 03/2006
2	093934	Tappo per piletta	Plug for pipe	From 03/2006
3	083592	Controdado per piletta	Nut for discharge pipe	Up to 4281...
3	094257	Controdado per piletta	Nut for discharge pipe	From 4291...
4	083593	Portagomma per piletta	Rubber support for discharge pipe	Up to 4281...
4	094256	Portagomma per piletta	Rubber support for discharge pipe	From 4291...
5	088577	Cavo riscaldante 21.5 W	Heating element for frame 21.5 W	a,b,c,d,e,f,g,h,k,q,t,u,r,s
6	087757	Struttura porta teglie	Shelf rack	a,b,c,d,e,f,g,h,k,q,t,u,r,s
7	090008	Vite per supporto struttura	Screw for shelf rack	
8	087957	Chiusura posteriore	Back side grid	
9	088578	Micro per porta	Door switch	
10	080803	Baccinella raccogli condensa	Condensation water tray	
11	085753	Porta zan	Door zan	a,b,c,d,e,f,g,h,k,q,t,u,r,s
12	083377	Guarnizione porta	Door gasket	a,b,c,d,e,f,g,h,k,q,t,u,r,s
13	083875	Boccola per porta	Bush for door	
14	083876	Cerniera porta	Door hinge	
15	085754	Cerniera superiore	Upper hinge	
16	085755	Staffa inferiore	Lower bracket	
17	0A9124	Perno per cerniera	Pin for hinge	
18	085759	Piano	Top	
19	088580	Cruscotto comandi	Control panel	Up to 2019/48
19	096093	Cruscotto comandi	Control panel	From 2019/49
20	088581	Guarnizione cruscotto	Gasket for control panel	a,b,c,d,e,f,g,i up to 35/2005
21	053342	Molla arresto marchio	Brand retaining plate clip	Up to 2019/48
22	091564	Mascherina comandi (elux)BCF	Control sticker (elux) BCF	a,g,q,t up to 2014/15.
22	094227	Mascherina comandi (elux)BCF	Control sticker (elux) BCF	a,g,h,q,t from 2014/16 up to 2019/48
22	096088	Mascherina comandi (elux)BCF	Control sticker (elux) BCF	a,g,h,k,q,t from 2019/49
22	091565	Mascherina comandi BC (elux)	Control sticker BC (elux)	d,i up to 2014/15
22	094226	Mascherina comandi BC (elux)	Control sticker BC (elux)	d, i from 2014/16 up to 2019/48
22	096087	Mascherina comandi BC (elux)	Control sticker BC (elux)	d, i, j, m from 2019/49
24	091295	Mascherina comandi BC (zanussi)	Control sticker BC (zanussi)	e up to 2014/15
24	094228	Mascherina comandi BC (zanussi)	Control sticker BC (zanussi)	e from 2014/16 up to 2019/48
24	096089	Mascherina comandi BC (zanussi)	Control sticker BC (zanussi)	e from 2019/49
24	091296	Mascherina comandi BCF (zanussi)	Control sticker BCF (zanussi)	b up to 2014/15
24	094229	Mascherina comandi BCF (zanussi)	Control sticker BCF (zanussi)	b,u from 2014/16 up to 2019/48
24	096090	Mascherina comandi BCF (zanussi)	Control sticker BCF (zanussi)	b,u from 2019/49
25	048579	Piedino	Foot	a,b,c,d,e,f,g,i,k,m,q, t,u,r,s
25	092681	Piedino Marine	Marine Foot	h
26	091567	Mascherina comandi (alpeninox)BCF	Control sticker (alpeninox)BCF	c, r up to 2014/15..

(#) use on compressor code 091149 only

Pos	Spare parts code	Descrizione	Description	Ref - Note
26	094225	Mascherina comandi (alpeninox)BCF	Control sticker (alpeninox)BCF	c, r from 2014/16 up to 2019/48
26	096086	Mascherina comandi (alpeninox)BCF	Control sticker (alpeninox)BCF	c, r from 2019/49
26	091568	Mascherina comandi (alpeninox)BC	Control sticker (alpeninox)with	f, s up to 2014/15
26	094224	Mascherina comandi (alpeninox)BC	Control sticker (alpeninox)with	f, s from 2014/16 up to 2019/48
26	096085	Mascherina comandi (alpeninox)BC	Control sticker (alpeninox)with	f, s from 2019/49
50	088130	Carter evaporatore	Evaporator cover	
51	088100	Griglia per ventilatore cella	Protection fan cell	a,b,c,d,e,f,g,h,i,j,k,m,q,t,u,r,s
52	088603	Ventilatore cella	Motor ventilator cell	a,b,c,d,e,f,g,h,i,j,k,m,q,t,u,r,s
53	092700	Scheda pulsanti new co.tors	Board user new co.tors	a,b,c,d,e,f,g,h,i,j,k,m,q,t,u,r,s
54	092704	Spillone conico con 1sensore	Food probe 1sensor new co.tors	
55	092177	Sonda cella "blu"	Cell probe	
56	093531	Sonda evaporatore "grigia"	Evaporator probe grey	See TB_VTX2017_04
57	002670	Prolunga pulsante	Switch extension	
58	091149	Compressore CAJ2464Z	Compressor CAJ2464Z	a,b,c,t up to 6411
58	095064	Compressore CAJ2464FZ	Compressor CAJ2464FZ	a,b,c,t from 6421
58	083728	Compressore GP 14 TB	Compressor GP 14 TB	d,e,f up to 210070.. (2012)
58	093205	Compressore EMBRACO NEK6212Z	Compressor EMBRACO NEK6212Z	d,e,f from to 211070.. (2012)
58	099654	Compressore	Compressor J2192GK	q up to 4441...
58	094475	Compressore EMBRACO NJ2192GJ	Compressor EMBRACO NJ2192GJ	h,q from 4451...
59	091217	Valvola di ricarica	Charge /Dis. valve for compressor	a,b,c,t
59	085505	Valvola di ricarica	Charge /Dis. valve for compressor	d,e,f
59	087380	Valvola di ricarica	Charge /Dis. valve for compressor	h,q - Up to 2020/26
59	0A9459	Valvola di ricarica	Charge /Dis. valve for compressor	h,q - From 2020/27
60	088099	Condensatore	Condenser	a,b,c,h,q,t,u
60	088592	Condensatore	Condenser	d,e,f
61	0A9728	Griglia per ventilatore condensatore	Condenser fan protection	a,b,c,d,e,f,h,q,t,u up to 6411
61	088100	Griglia per ventilatore condensatore	Condenser fan protection	a,b,c,d,e,f,h,q,t,u from 6421 f,g,i,k,m,r,s from the SOP
62	084780	Ventola	Fan	a,b,c,d,e,f,t up to 6411
62	084781	Ventola	Fan	q,u up to 6411
62	094955	Ventola	Fan	a,b,c,h,q,t,u from 6421
62	093857	Ventola	Fan	d,e,f from 6421
63	087168	Ventilatore condensatore	Motor ventilator for condenser	a,b,c,d,e,f,q,t,u up to 6411
63	093858	Ventilatore condensatore	Motor ventilator for condenser	a,b,c,d,e,f,h,q,t,u from 6421

(#) use on compressor code 091149 only

Pos	Spare parts code	Descrizione	Description	Ref - Note
64	088593	Termostato	Thermostat	a,b,c
65	083387	Ricevitore di liquido	Liquid tank	a,b,c,h,q
65	087758	Ricevitore di liquido	Liquid tank	d,e,f
66	088201	Filtro deidratore	Dehidrator filter	a,b,c,d,e,f,h,q
67	088030	Valvola solenoide	Solenoid valve	a,b,c,d,e,f,g,h,i,k,q
68	085847	Bobina per valvola solenoide	Coil for solenoid valve	a,b,c,g,r,t up to 6411 d,e,f,h,i,q,s,u up to 2020/26
68	095063	Bobina per valvola solenoide	Coil for solenoid valve	a,b,c,g,k,r,t from 6421 d,e,f,h,i,j,m,q,s,u from 2020/27
69	088097	Scambiatore	Heat exchanger	d,e,f,
69	092059	Scambiatore (#)	Heat exchanger (#)	a,b,c,h,q,t,u
70	089929	Valvola termostatica	Thermostatic valve	a,b,c,g,h,q,r,t,u
70	091698	Valvola termostatica "sporlan"	Thermostatic valve "sporlan"	d,e,f,i,s up to 6411
70	095060	Valvola termostatica	Thermostatic valve	d,e,f,i,s from 6421
70	646R24000	Valvola termostatica R449A	Thermostatic valve R449A	m
70	646R24100	Valvola termostatica R513A	Thermostatic valve R513A	j
70	646R07C00	Valvola termostatica R449A	Thermostatic valve R449A	k
71	088596	Evaporatore	Evaporator	a,b,c,h,k,q,t,u
71	088094	Evaporatore	Evaporator	d,e,f,i,j,m
72	084721	Condensatore elettrico per vent.cella	Capacitor for cell ventilator 4mf	
73	088267	Rele` RP (omrom 200-240V 25A 2cont.)	Relay RP (omrom 200-240V 25A 2cont.)	Up to ser.N°11507002
73	088557	Rele` RP (teleruttore)	Relay RP (Contactor)	From ser.N°11507003
74	083215	Rele` RS (230V 10A 3 contatti)	Relay RS (230V 10A 3 output)	a,b,c,h,q,t,u
74	088197	Rele` RA (230V 16A 6 contatti)	Relay RA (230V 16A 6 output)	g,i,j,k,m,s,r
75	056510	Rele` RG 3 contatti (24 Volt)	Relay RG (24 V three output)	
76	087662	Trasformatore	Voltage adaptor	
77	084987	Filtro elettrico	Electric filter	
78	099911	Scheda principale	Main board	to be setted Up to 02/2009
78	092765	Scheda principale	Main board	From 03/2009 Up to 12/2011
78	093125	Scheda principale	Main board	From 13/2011
79	088345	Sonda ambiente condensatore	Probe for condenser/room	Up to 37/2010
80	088602	Gabbietta per sonda	Protection probe	Up to 6411 h always
81	085617	Protettore per compres, (J2212 GK)	Electric protection for compressor	a,b,c,q
81	091355	Protettore per compres. (CAJ2464Z)	Electric protection for compressor	a,b,c,
81	083165	Protettore per compres. (GP 14 TB)	Electric protection for compressor	d,e,f
82	084280	Rele` compressore (J2212 GK)	Compressor relay	a,b,c
82	091353	Rele` compressore (CAJ2464Z)	Compressor relay	a,b,c
82	081873	Rele` compressore (GP 14 TB)	Compressor relay	d,e,f
83	083449	Condensatore di spunto (J2212 GK)	Start capacitor	a,b,c
83	091354	Condensatore di spunto (CAJ2464Z)	Start capacitor	a,b,c

(#) use on compressor code 091149 only

Pos	Spare parts code	Descrizione	Description	Ref - Note
83	083166	Condensatore di spunto (GP 14 TB)	Start capacitor	d,e,f
84	087201	Condensatore di marcia (J2212 GK)	Run capacitor	a,b,c
84	091353	Condensatore di marcia (CAJ2464Z)	Run capacitor	a,b,c
85	082125	Morsettiera	Clamp	a,b,c,g,h,i,k,m,q,r,s,t,u
85	087067	Morsettiera	Clamp	d,e,f
86	0A9671	Termostato di sicurezza evaporatore	Safety thermostat evaporator	g,k,r
87	089653	Resistenza di sbrin.evaporatore	Heating element for evaporator	g,k,r
91	088570	Scheda Haccp	Haccp board	Up to 4291
91	092100	Scheda Haccp	Haccp board	From 4301